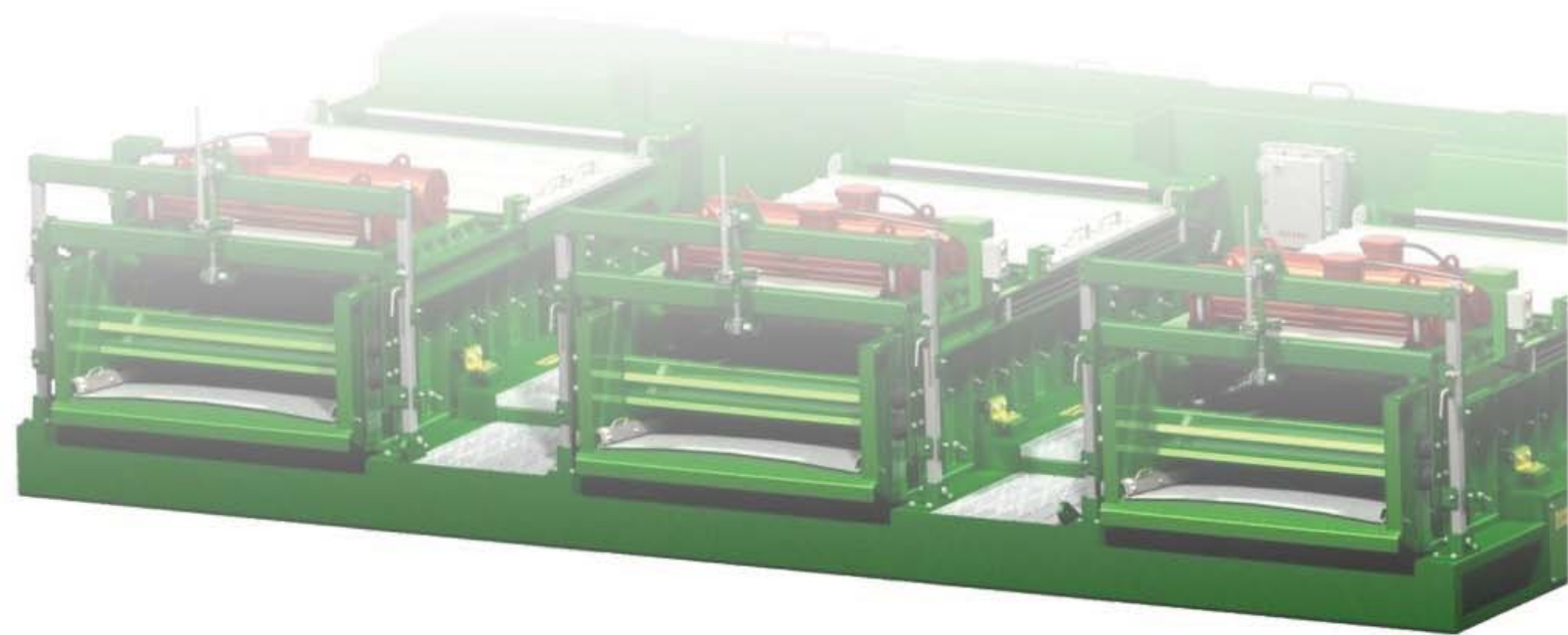




Chengdu West Petroleum Equipment Co.,Ltd

# Balanced elliptical shale shaker

»»» CHENGDU·CHINA



## ZS/T-1C balanced elliptical shale shaker

### » Survey

Balanced elliptical shale shaker, which is newly designed, has big capacity, high meshes, and is special for drilling fluid.



### » Features

#### **Big flow area**

Four 0.875m<sup>2</sup> screens make total flow area reaches 3.5m<sup>2</sup>. It is one of the shale shakers with biggest flow area.

#### **Capacity**

Big flow area and unique screen structure significantly improve capacity.

#### **Fine screening**

Equipped with screens which have meshes from 160 to 200, the finest screening diameter is 0.075mm

#### **Compact structure**

The length is only 3M and the installation length is only 2.65M with such big screen area.

#### **Splash prevention device**

The nearly closed top, rear and side reduce splash very much.

#### **Variable frequency control**

Variable frequency control can adjust excited force without stop.



## » Technical parameter

Motor power : 2.2 kW×2

Vibration trail : Balanced elliptic

Screen type : 4×1150×760 mm

Screen form : crochet screen

Screen meshes : Max 200 meshes

Obliquity adjustment : +/-3

Vibration intensity : max 7g

Vibration speed : 1500 r/min

Vibration frequency : 25Hz

Capacity : 200m<sup>3</sup>/h (160 meshes, 1.15G, 60s)

Dimension : as per overall drawing

protection grade : IP55

explosion-proof grade : ExdIIBT4

power : 380/460V , 50 /60 Hz

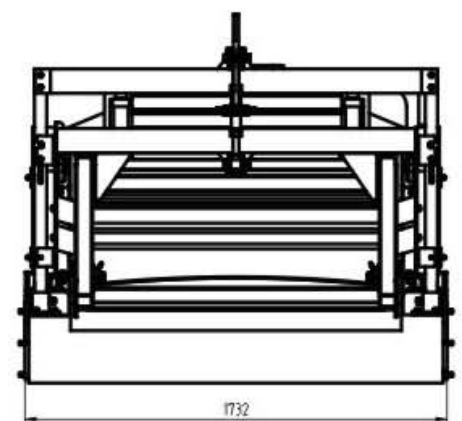
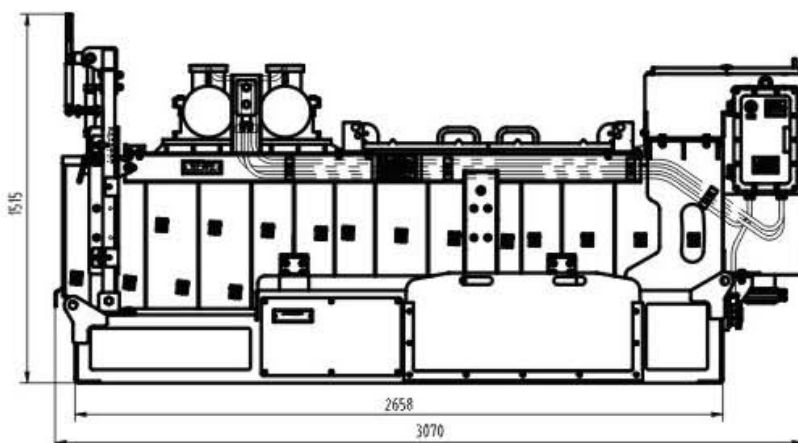
dimension : as per overall drawing

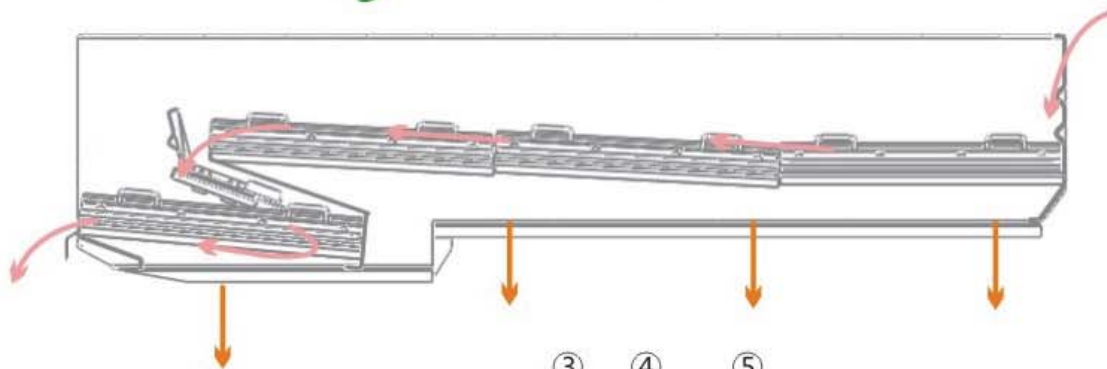
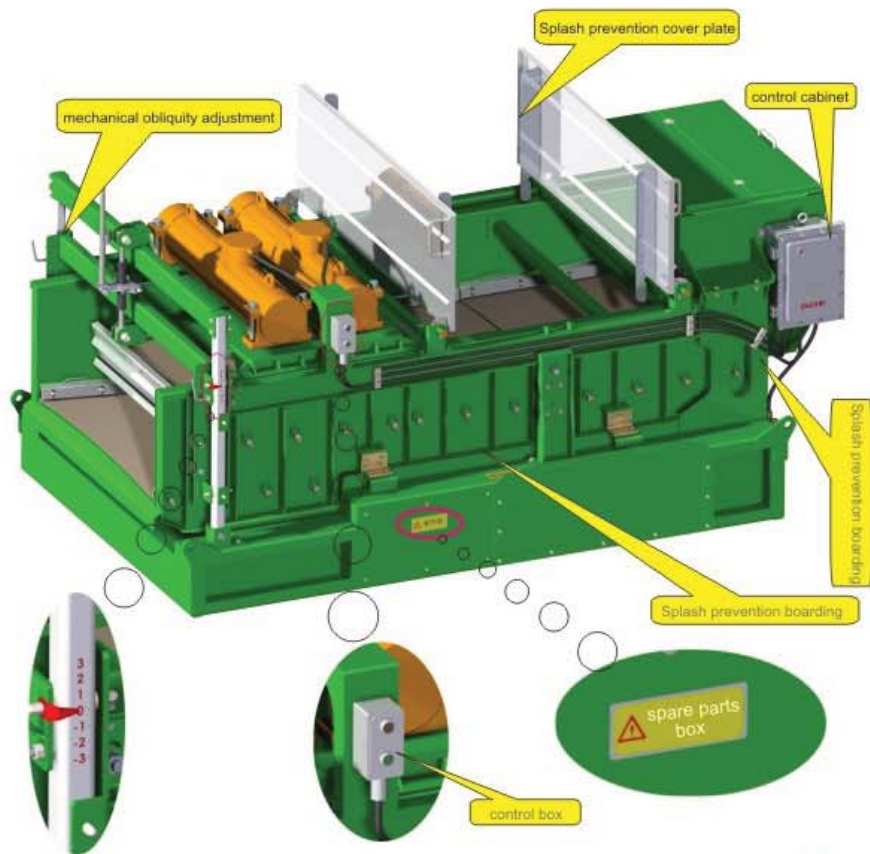
weight : 2200 kg

## » Screen list

| Type                 | ZS/T-1C           | FLC503/513         | FLC504/514         | Mongoose PT        |
|----------------------|-------------------|--------------------|--------------------|--------------------|
| Screen specification | 1150x760          | 1053x697           | 1053x697           | 1200x610           |
| Screen Qty           | 4                 | 3                  | 4                  | 4                  |
| Total screen area    | 3.5m <sup>2</sup> | 2.1 m <sup>2</sup> | 2.8 m <sup>2</sup> | 2.9 m <sup>2</sup> |
| Length               | 3070mm            | 2810mm             | 3510mm             | 3120mm             |
| Width                | 1750 mm           | 1880mm             | 1880mm             | 1760 mm            |

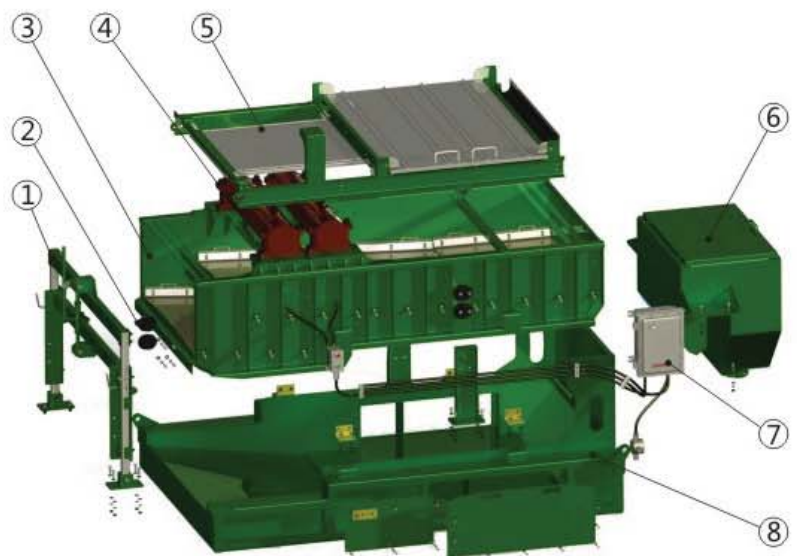
## » Overall dimension drawing



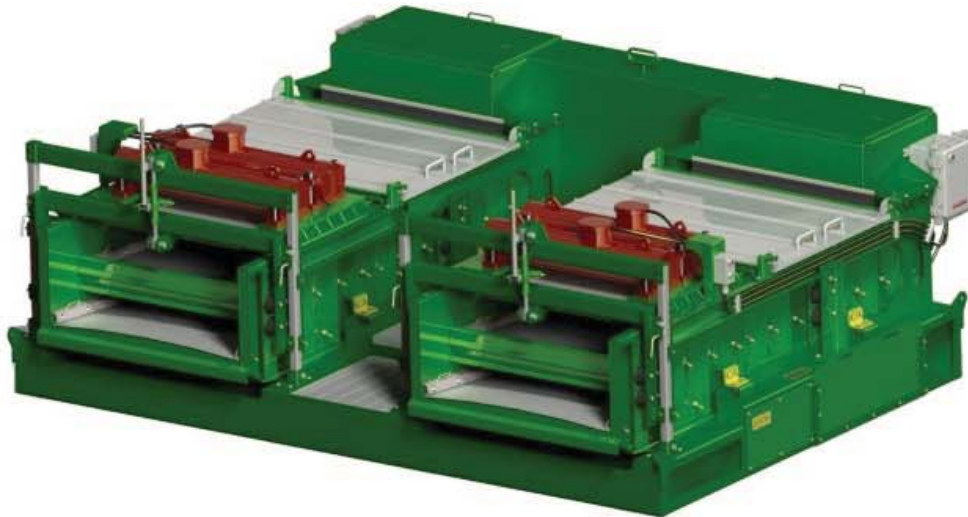


flow chart

|                               |                     |
|-------------------------------|---------------------|
| obliquity adjustment device   | rubber spring       |
| screen box assembly           | vibration motor     |
| Splash prevention cover plate | slurry box assembly |
| electric control system       | skid assembly       |



## ZS/T2-1C double-connected balanced elliptical shale shaker



## ZS/T3-1C tri-connected balanced elliptical shale shaker

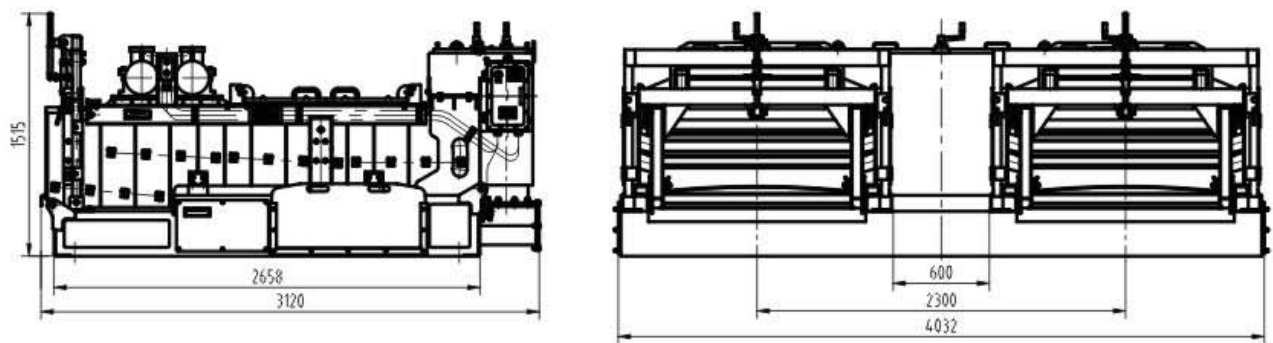


The two models above are double-connected and tri-connected model of ZS/T-1C balanced elliptical shale shaker which has big capacity and high meshes. It connects two or three shale shakers on one skid and share a slurry box that makes installation and transportation easier.

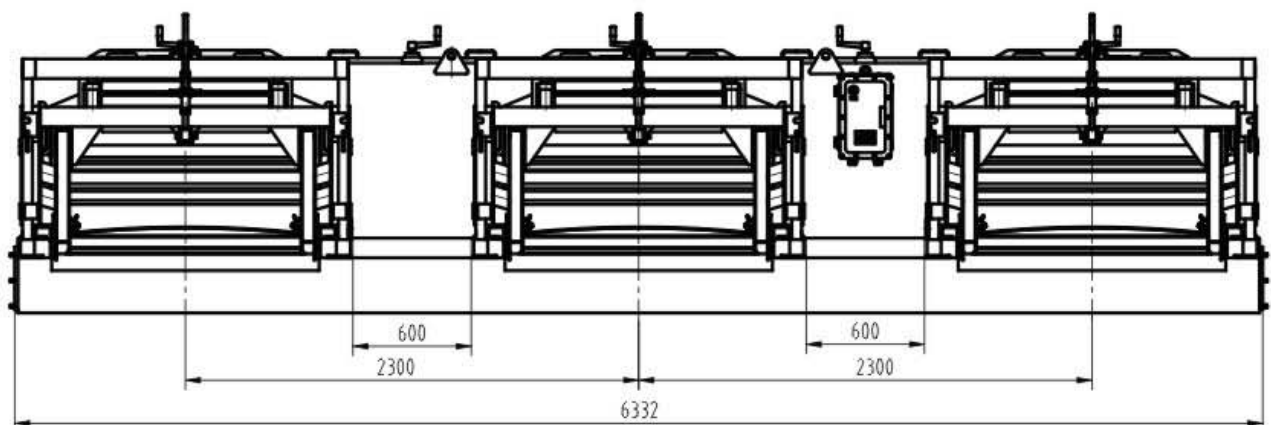
## » Technical parameter of single shale shaker

|                                     |  |
|-------------------------------------|--|
| Motor power : 2.2 kW×2              | Vibration frequency : 25Hz                               |
| Vibration trail : Balanced elliptic | Capacity : 200m <sup>3</sup> /h (160 meshes, 1.15G, 60s) |
| Screen type : 4×1150×760 mm         | Dimension : as per overall drawing                       |
| Screen form : crochet screen        | Weight of double-connected shale shaker : 4600 kg        |
| Screen meshes : Max 200 meshes      | Weight of tri-connected shale shaker : 7000 kg           |
| Obliquity adjustment : +/-3         |  |
| Vibration intensity : max 7g        |  |
| Vibration speed : 1500 r/min        |  |

## » Overall dimension drawing of double-connected shale shaker



## » Overall dimension drawing of tri-connected shale shaker



side elevation is same as double-connected shale shaker

## GS/P crochet flat screen

### » Survey

Crochet flat screen has 2 or 3 stainless screening cloth cementing on perforated metal liner. The surface of liner is antirust treated by special technology which improves operation performance.

### » Features

#### uniform stress on screens

The lower supporting screening cloth supports load of layered screening cloth effectively to make sure uniform stress on each layer and extend screen's service life.

#### strong screening capability

The layered screen uses a special hole form to guarantee max capacity, service life, accuracy of screening particle size and avoid jam.

#### quick fix

The independent grids separated by liner meshes prevent spread of damage. The special fix block of screen saves operation time, extends service life and saves cost.



| Type | Meshes | Dimension  | Suitable shale shaker |
|------|--------|------------|-----------------------|
| GS/P | 10-325 | 1053×697mm | XBSY—ZS/Z-1           |
| GS/P | 10-325 | 1053×697mm | DERRICK/FLC2000       |
| GS/P | 10-325 | 1053×697mm | DERRICK/FLC500 Series |
| GS/P | 10-325 | 1153×697mm | XBSY—ZS/Z-1A          |
| GS/P | 10-325 | 1153×760mm | XBSY—ZS/T-1C          |

Note: dimension and detail of screen can be adjusted according customer's requirement.

## GS/B crochet wave screen

### » Survey

GS/Bcrochet wave screen has wave screening cloth sticked 2 or 3 stainless screening cloth on liner.

### » Features

Strong capacity  
Uniform stress on screens  
Strong screening capability



## KS frame planar screen

### » Survey

KS planar screen has 2 or 3 stainless screening cloth cementing on perforated metal liner. The frame is welded by square tube and the surface is antirust treated by special technology which improves operation performance.

### » Features

Conveniency and efficiency    Uniform stress on screens  
Strong screening capability    Quick fix saves time and cost  
Balanced elliptical shale shaker



**WWW.WESTERNPETRO.NET**

***Based In China,***  
**Looking Into The World Innovative**  
***And Faithful,***  
**We Present The Best Service**

**Chengdu West Petroleum Equipment Co.,Ltd**

Add:No.1355 Longgong South Road, Longquanyi District,

Chengdu, Sichuan, P.R.China

Tel: 028-88430828/88430388 ( Domestic sales )

028-88434038 ( International sales )

028-88430868( Customer service hotline )

Fax: 028-88430918

E-mail: [sales@westernpetro.net](mailto:sales@westernpetro.net)

Zip: 610100